



# Secure Tite Seal

The Secure Tite is a one piece adjustable length plastic strap seal for use in a wide variety of applications, and is provided with or without prongs and tear off. supplied in a choice of 2 sizes.

## Applications

Tote boxes	Doors & hatches	Plastic and cloth bags
In-bond Shipments	Mail bags	Inner drum bags
Valves	Pouches	

## Features

- Suitable for a wide range of applications.
- Ten seals per mat format.
- Self locking seal.
- Sealing tool available to facilitate application.
- Larger flag available upon request.
- Optional gripping prongs or tear away feature available.

## Materials

Polypropylene

## Strength Characteristics

Average Looped pull apart force:  
Without Tearline is 49Kg (110lbs)

## Dimensions

Actual measurements:  
 Flag dimensions: 50mm x 20mm x 1.3mm  
 Tail lengths: 178mm | 279mm  
 Overall length: 229mm | 330mm

## Marking/print

Stock Numbered and marked "SEALED" as standard.  
 Customised Print and Product colours available:  
 Text / Logo / Barcode.  
 Minimum order quantity for non stock products 10,000 parts.

## Stock colours

With Tear-line and Prongs: Blue, Green, White  
 No features: Blue, Green, Red, White

## Packaging

Delivered in mats of 10 seals boxed in 1000's.  
 Box dimensions:  
 200mm version (LxWxH) 450x380x260mm 4.5kg  
 300mm version (LxWxH) 560x420x210mm 5.7kg

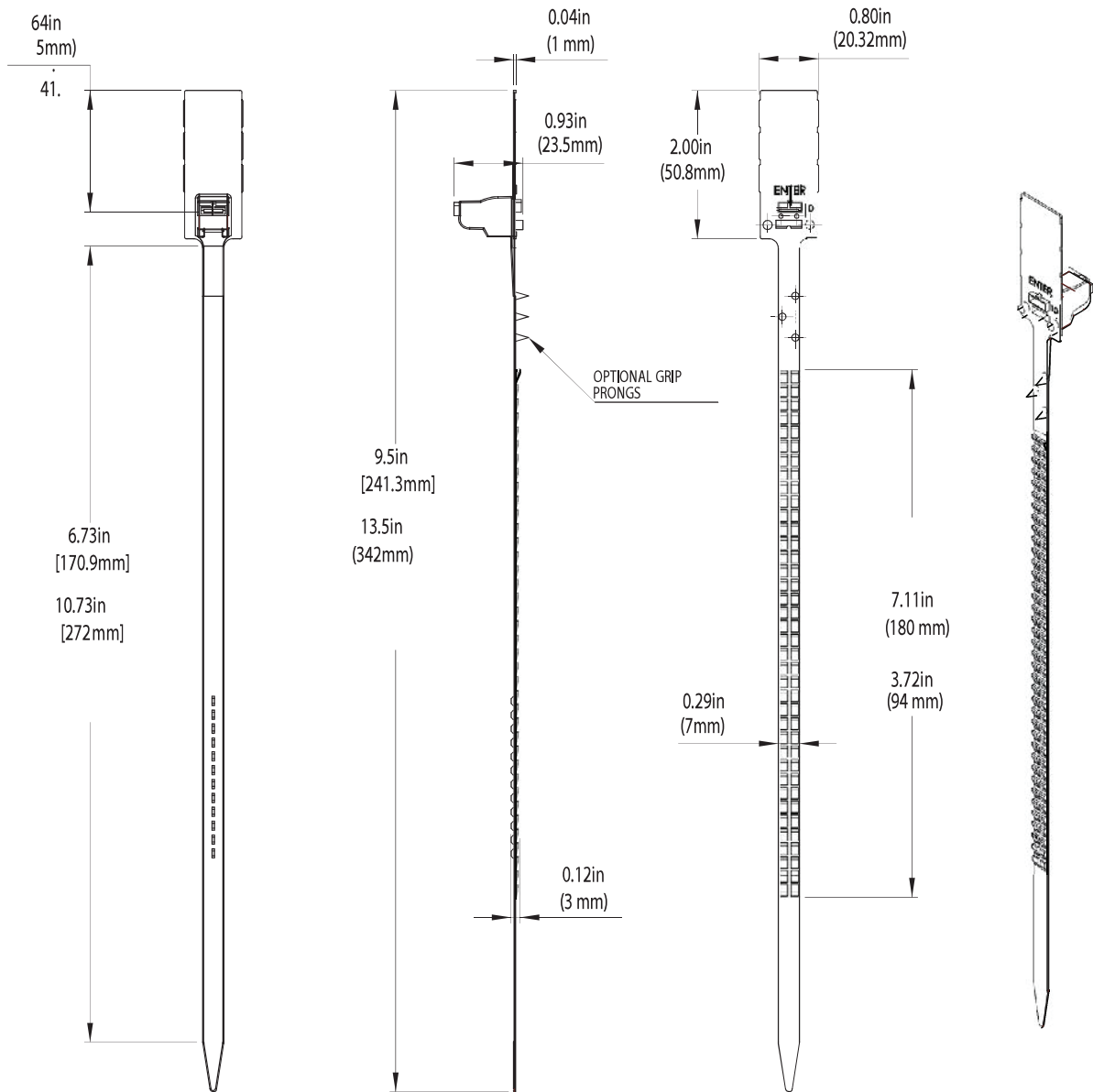


Secure Tite Seal



# Secure Tite Seal

The Secure Tite is a one piece adjustable length plastic strap seal for use in a wide variety of applications, and is provided with or without prongs and tear off. supplied in a choice of 2 sizes.



Secure Tite Seal