



# SnapTracker Bolt Seal

The SnapTracker Bolt Seal is a barrier class seal, designed for securing high value cargo. A solid steel bolt provides strength while a molded plastic coating provides tamper-evidence.

The SnapTracker is C-TPAT Compliant and meets the standard for a High Security Seal as outlined in the ISO 17712:2013 specifications.

## Applications

Container Door Latches  
Trailer Door Latches

## Features

- ISO 17712: 2013 classification - High Security
- Large flag on both the bolt and body allows laser printed information to be easily read
- Both parts are numbered to prevent fraud by replacement of either bolt or body
- Parts come attached in a unique package for ease of use and accurate tracking of numbers
- Interlocking joint to protect against tampering

## Materials

Body: ABS Plastic with Steel Insert  
Bolt: Steel with Plastic Cover

## Strength Characteristics

3000lbs / 1360kg

## Dimensions

Bolt Diameter: 0.45" (11.3mm)  
Operational Length: 2.5" (63.5mm)

## Marking/print

Laser Print: Name, logo, consecutive numbers, barcode.

## Stock colours

White, Yellow

## Packaging

10 seals per tray, 200 seals per carton  
Box dimensions: 16"x12"x11" (410x310x280mm) 9 lbs (13kg)



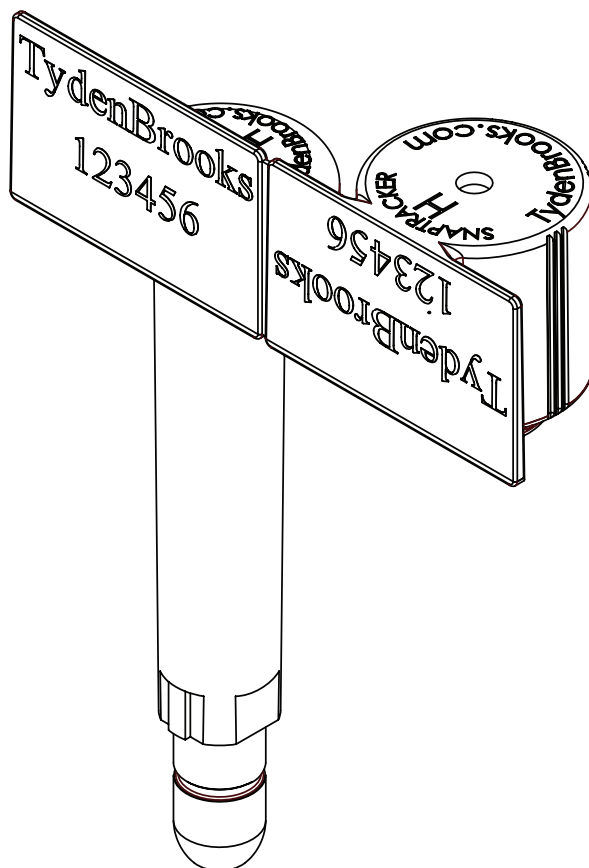
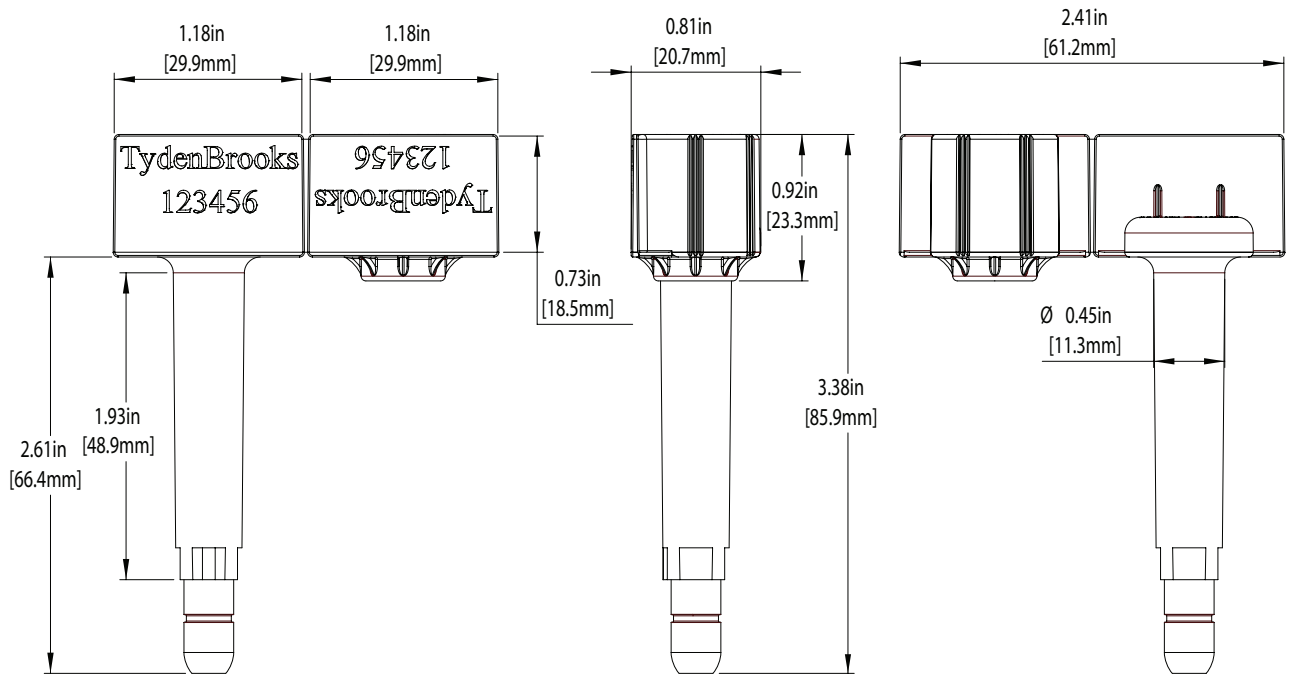
SnapTracker Bolt Seal



# SnapTracker Bolt Seal

The SnapTracker Bolt Seal is a barrier class seal, designed for securing high value cargo. A solid steel bolt provides strength while a molded plastic coating provides tamper-evidence.

The SnapTracker is C-TPAT Compliant and meets the standard for a High Security Seal as outlined in the ISO 17712:2013 specifications.



SnapTracker Bolt Seal