



# Pull Tite II

The Pull Tite II is an adjustable length plastic seal which is ideal in lightweight, quick-break applications such as fire extinguishers.

## Applications

Fibre Drums	Dispenser Tanks	Crash Carts
Fire Extinguishers	Cash Boxes	Emergency Doors
Zipped Cash Bags	Information Tags	

## Features

Self locking seal, no tools required.  
Double-wall dome design protects against tampering attempts. More than 20 locking positions at 1/8th (3mm) increments.

## Materials

Polypropylene

## Strength Characteristics

Average pull apart force for polypropylene is 11-14lbs (5-7 kg)  
For Nylon, 35lbs (16kg).

## Dimensions

9" (228mm) x 1/8th (3mm). Working length 6" (152.4mm)

## Marking/print

Embossed "SEALED DO NOT REMOVE".  
Heat stamped with name.

## Stock colours

Blue, Green, Orange, White, Yellow

## Packaging

Delivered in mats of 10 seals boxed in 1000's. Box dimensions: (LxWxH) 480x330x120mm 1.9kg

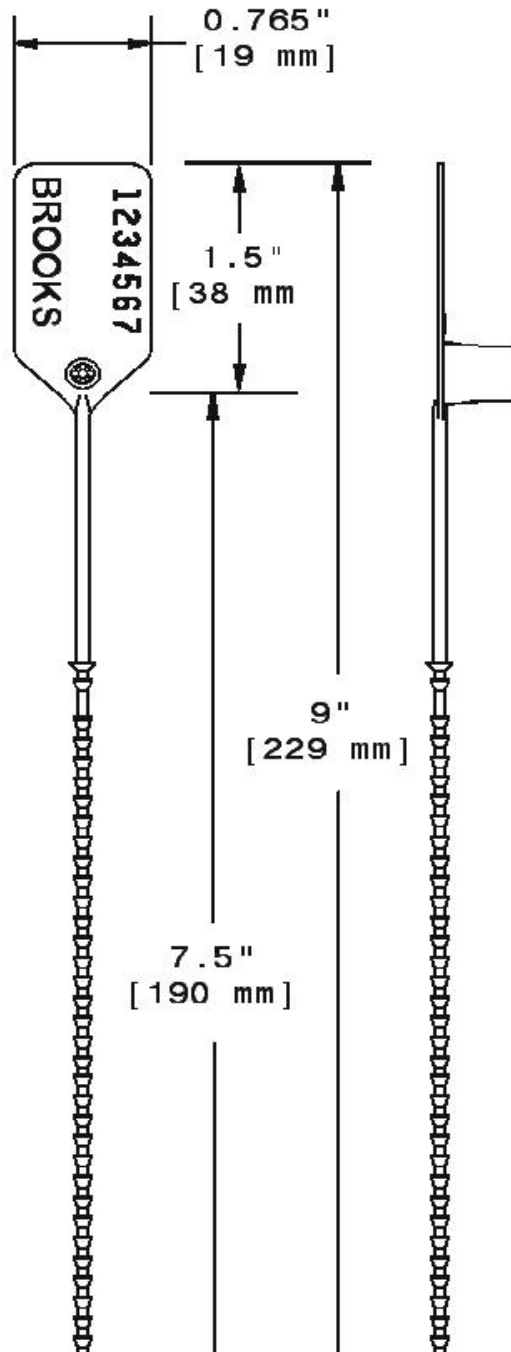


Pull Tite II



# Pull Tite II

The Pull-Tite II is an adjustable length plastic seal is ideal in lightweight, quick break applications such as fire extinguishers.



Pull Tite II