

# Shoulder Spreader

## Assembly, Operating and Maintenance Manual



### ASSEMBLY INSTRUCTIONS:

Your EarthWay Seeder/Spreader is pre-assembled at the factory, leaving only the handle crank for you to attach. To attach the crank, turn crank onto crankshaft. No need to tighten, just allow the crank to tighten itself as you use it. Your seeder/spreader is now ready for use.

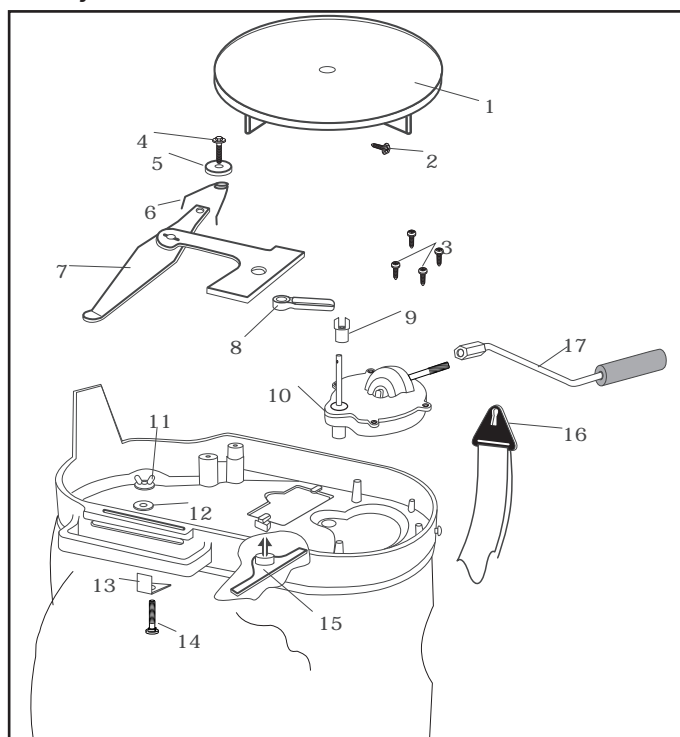
### OPERATING INSTRUCTIONS:

Before filling the bag, become familiar with the operation of your spreader.

1. Obtain proper setting for material to be used from the rate-setting chart from the underside of the unit.
2. Loosen wing nut and move setting indicator to proper setting. (When indicator is all the way forward it will be on setting number 1). Tighten wing nut after adjustment.
3. To fill, make sure slide opening is in closed position. Fill bag approximately 1/2 to 2/3 full.
4. Always start walking and turning handle crank before opening the feed slide. To open feed slide, simply pull slide lever back and place behind the indicator. Crank should make one revolution for each step taken with right foot to ensure proper distribution rate.
5. To close feed slide, simply push up on slide lever and slide will trip to closed position.

### MAINTENANCE:

1. To extend the life of your spreader it is recommended that you spray a DRY LUBRICANT, (such as silicone or graphite) on all bearings on the under side of your spreader. DO NOT USE OIL or GREASE, as these will prevent your spreader from operating easily.
2. It is also important to wash and dry your spreader after each use.



### PARTS LIST

1	12109	Impellor	8	12331	Shuttle	14	12334	Indicator
2	N/A	6 X 1/2" Screw	9	12329	Cam	15	N/A	10-24 X 3/4" Carriage Bolt
3	N/A	6 X 1/2" Type Hi-Lo Screw	10	60411	Gearbox Assembly	16	12327	Agitator
4	N/A	6 X 1" Type Hi-Lo Screw	11	60412	Base Assembly	17	60101	Bag Assembly
5	43029	Torsion Washer			Incl 4,5,6,7 & 10	19	12328	Strap Hook
6	70117	Torsion Spring	12	N/A	10-24 Wing Nut	20	60117	Handle Crank Assembly
7	12330	Lever & Plate	13	N/A	10 Flat Washer	21	12183	Optional Bag Liner

N/A = Available at most hardware stores